



**LeMatic**  
*Cooler to the door*

# LS3 Bulk Packer

**PERFECT FOR SMALL TO MID-SIZE BAKERIES**

LeMatic's legendary Bulk Packers have set the standard for fast and dependable bulk packaging. But not everyone needs the capability to process over 1000 buns a minute! That's why we designed the LS3. Perfect for small to mid-size bakeries, it has the quality you expect from LeMatic at an attractive cost.

## FEATURES

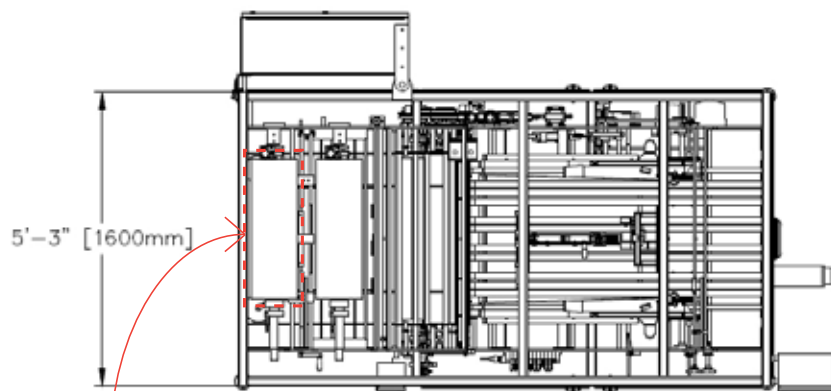
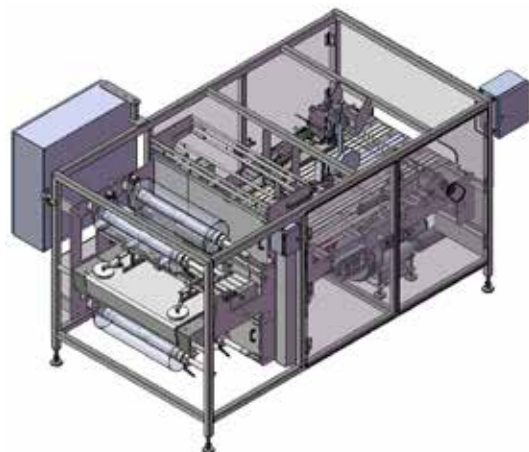
- Product control wheels, product regrouper, and package vacuum system assure a consistent and tight package
- Advanced timing and control functions are available to service or maintenance personnel via password-protected control software
- Timing belt drive system
- Design emphasizes safety and reliability, straight-forward operation and complete accessibility for maintenance and sanitation



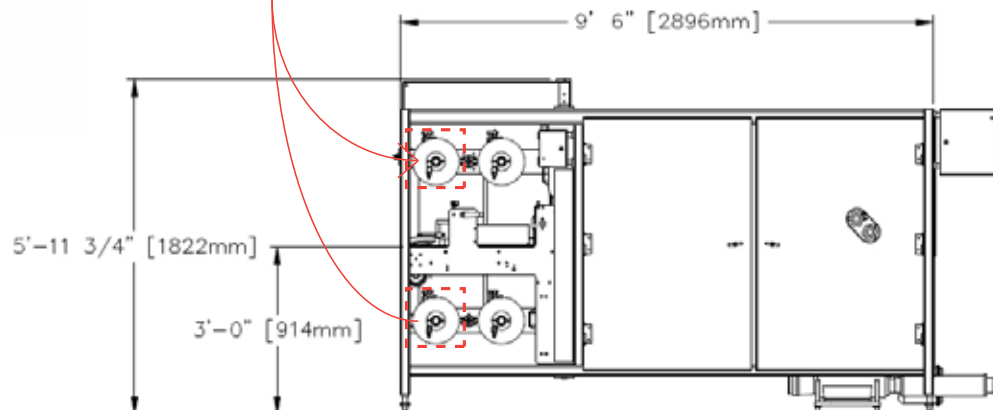
*LS3 Infeed*

# LS3 Bulk Packer

*With a smaller footprint and lower cost, the LS3 is a smart choice for the small to medium sized business.*



Optional Film Roll Stations



## GENERAL SPECIFICATIONS:

- Production Rate: Maximum of 22 packages per minute
- Package Size: Maximum: 28" [711mm] Width  
27" [659mm] Length  
3 1/2" [89mm] Height  
Minimum: 15" [381mm] Width  
8" [203mm] Length  
1" [25mm] Height
- Film Width: Maximum: 34" [864mm]  
Minimum: 18" [457mm]
- Electrical: All standard voltages
- Air Requirements: 24 CFM [680 L/M] @ 90 PSI [6.2bar]
- Air Connection: 3/4" NPT

## OPTIONS:

- Single center seal
- Center seal and cut
- Portability
- Secondary film roll stations for upper and lower film feed supply
- UL, CUL/CSA, CE compliant



**LeMatic**  
*Cooler to the door*