



LeMatic
Cooler to the door

Heavy Duty Slicing System

HDSS-2 with GU31W & BF15WHD Slicers

INTRODUCING THE NEWEST ADDITION TO LEMATIC'S INDUSTRY-LEADING HORIZONTAL SLICER LINE

The new HDSS-2 Heavy Duty Slicing System is specifically designed for horizontal slicing of partially frozen artisan bread products. The LeMatic GU31W Web/Hinge Slicer provides 4 pairs of counter-rotating blade spindles for 4 lanes of web slicing and 8 lanes of hinge slicing of products that have been partially frozen. The LeMatic BF15WHD Single Band Slicer performs a through ("slab") slice of crust-frozen products. For optimum results, products should be crust-frozen less than 1/2" (13mm) and have a soft core for best slice characteristics.

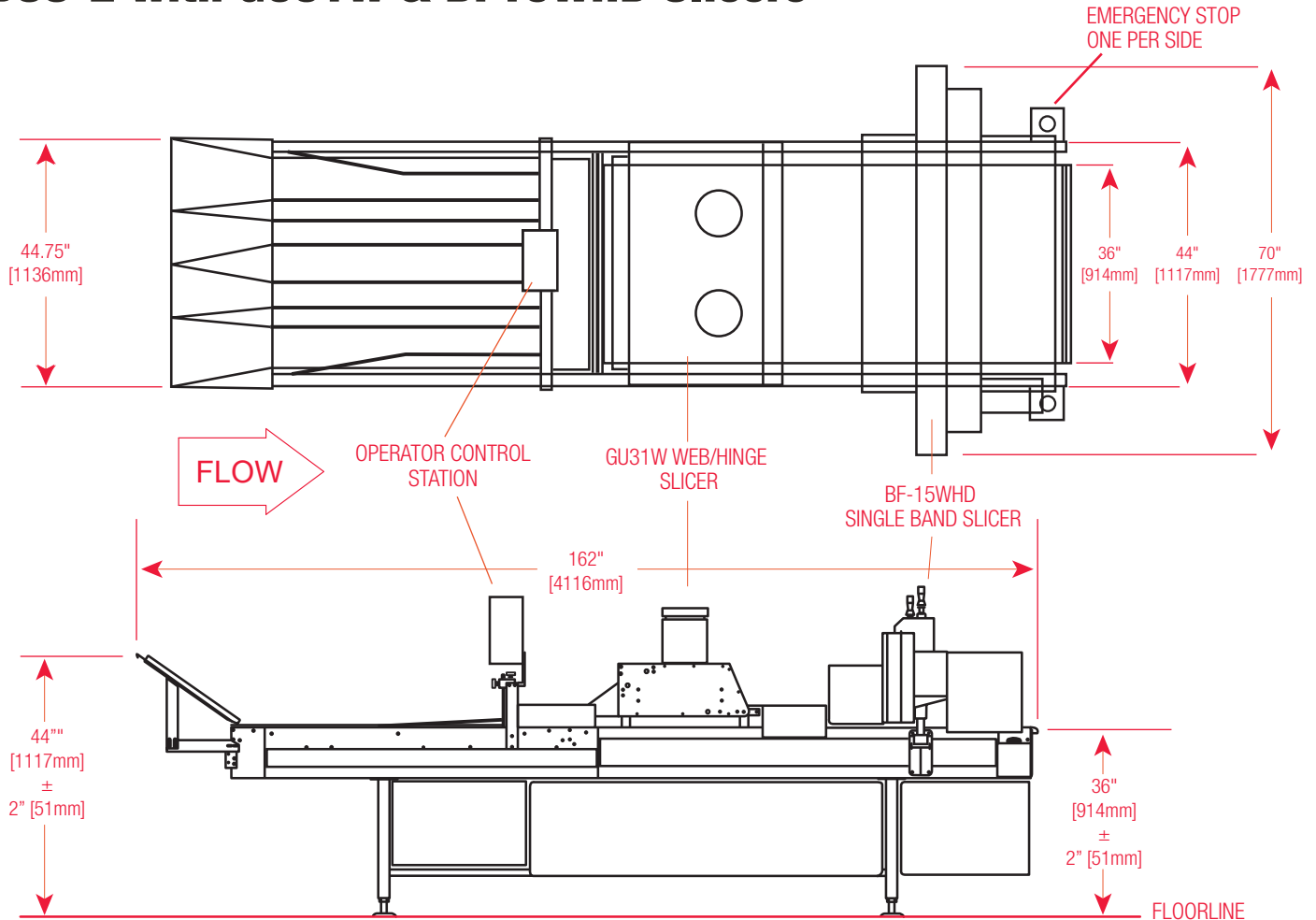
FEATURES

- Durable construction coupled with safety-conscious design
- Product guides are easily adjustable and removable without tools
- Push-button controlled power head lifts are standard
- Motors are variable frequency drive controlled
- Heavy-duty drives and timing belt spindle drive components
- Independent Floating Top Conveyor (FTC)
- Heavy-duty slicing blades
- Completely adjustable for slice height and depth and FTC pressure



Heavy Duty Slicing System

HDSS-2 with GU31W & BF15WHD Slicers



GENERAL SPECIFICATIONS:

- Production Rate: 24,000 pieces per hour maximum (Based on 4" square Ciabatta roll)
- Electrical: All standard voltages
- Control Voltage: 24VDC
- Air Requirements: None
- Slicing Head Drives: 5 HP motors w/brake

OPTIONS:

- UL, CUL/CSA, CE compliance
- Wash-down construction
- Additional slicing modules
- Custom slicer widths, lengths, and heights

