



LeMatic
Cooler to the door

Flat Bread Slicing System

BF-15W/ST

The Model BF-15W/ST Single Band Flat Bread Slicer is specifically designed for through ("slab") slicing thin flat bread products in up to six parallel product lanes. A full range of typical soft roll and bun products can also be sliced. This slicer can be manually or conveyor fed. An optional Vibratory Laning Conveyor can reduce operating labor.

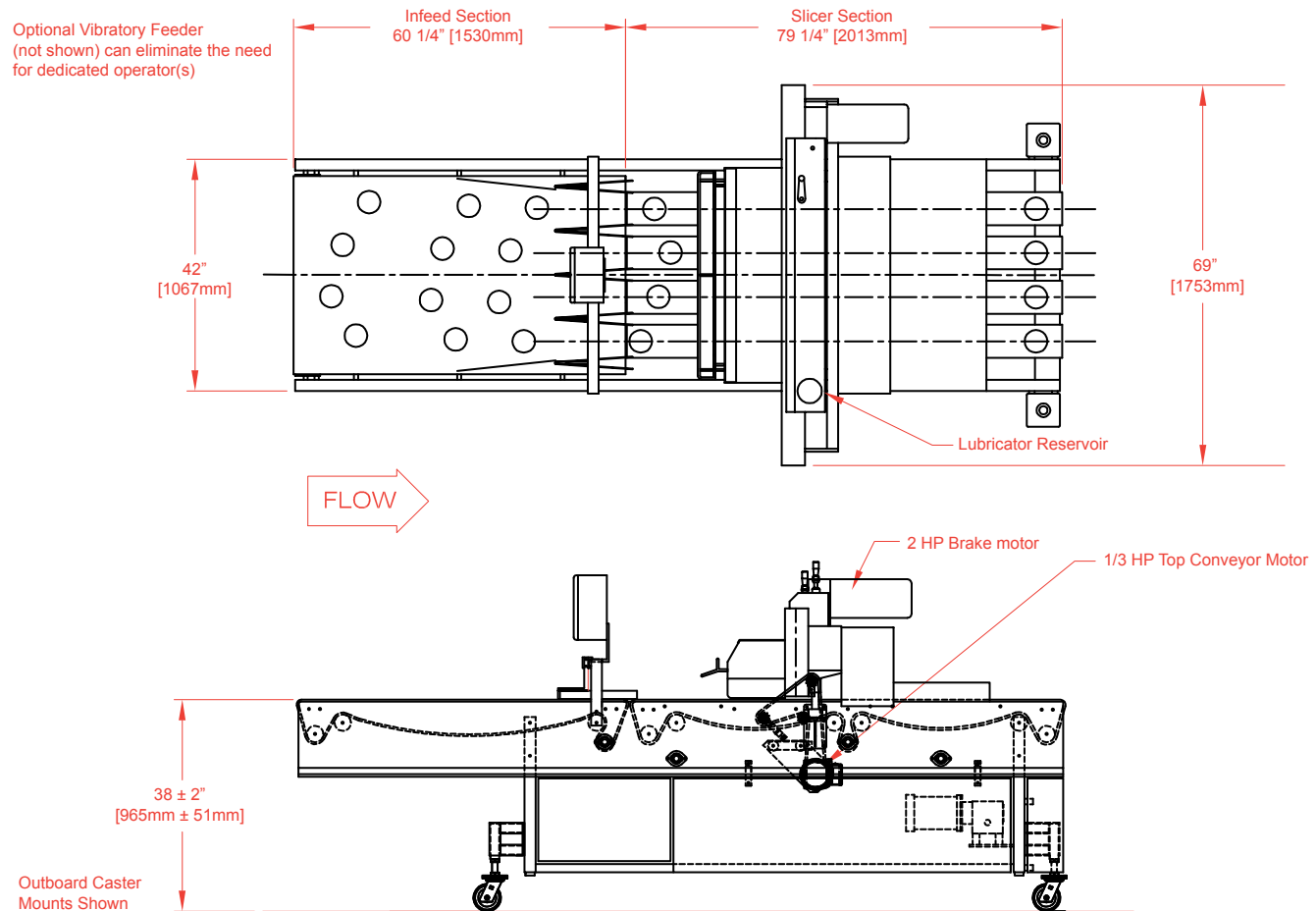
FEATURES

- Durable and precise construction provides superb thin slice quality
- Products can be through sliced from .375" [9.5mm] thin to 3.5" [89mm] thick and from 2" [51 mm] to 6" [152mm] wide
- Push-button controlled power head lift is standard
- Top conveyor, slicing band and conveyor are VFD-controlled for optimum slice quality
- Multiple blade and pulley scrapers, blade oiler and crumb blast for extended production operation
- Product Guides are easily adjustable and removable without tools



Flat Bread Slicing System

BF-15W/ST



GENERAL SPECIFICATIONS:

- Production Rate: 36,000 pieces per hour (Based on 4.5" diameter flat bread)
- Electrical: All standard voltages
- Control Voltage: 24VDC
- Air Requirements: Application dependent
- Slicing Head Drive: 2 HP motor w/brake (Heavy duty available with 5 HP motor)

OPTIONS:

- UL, CUL/CSA, CE compliance
- NEMA Type 4/IP-66 Stainless Steel Control Panels
- Full Wash-Down Construction
- Casters for Portability
- Vibratory Laning Conveyor
- Custom slicer widths



LeMatic
Cooler to the door