



LeMatic

Cooler to the door

**HEAVY
DUTY**

Dough Imprinters

Registered & Random

LeMatic Dough Imprinters are designed to stand up to the rigors of high-volume production, while still producing clear impressions on your bun or roll products. Efficient design and construction yield an economical and easy-to-use Imprinter that will fit your existing Moulder Table. UHMW rollers reduce and may even eliminate the need for flour dusting, resulting in substantial flour savings. LeMatic Imprinters are readily available in a variety of standard Moulder Table widths and imprint patterns. Custom sizes and patterns are available.

FEATURES

- Easy to set up and take down from your existing Moulder Table.
- Adjustable imprint depth.
- Adjustable motor speed.
- Single solid roller or individual adjustable rollers.
- UHMW roller provides sanitary, nonstick imprinting.
- Spiral brush continuously cleans roller for nonstop reliable operation.
- Durable construction and safety-conscious design.



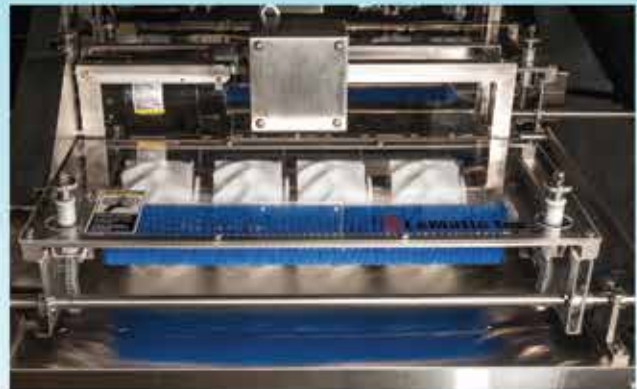
6-POCKET RANDOM ADJUSTABLE IMPRINTER

Models BM100230,
BM100232, BM100242

*Photo illustrates the variety of registered
imprints available.*



*"Tractor Tread"
Random Pattern
Bun after Baking*



4-POCKET REGISTERED ADJUSTABLE IMPRINTER

Model BM100240,
BM100233, BM100241

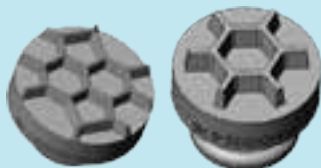


*Kaiser (Registered Pattern)
Roll after Baking*



*Discharge Side of
Random Imprinter*

**HAND STAMP
MODELS
ARE ALSO
AVAILABLE**



CUSTOM DOUGH IMPRINT SERVICES

When the occasion calls for something beyond the ordinary, LeMatic can design an imprint to suit any requirement. Call a LeMatic sales professional to find out more



Designed to perform. Backed by experience.

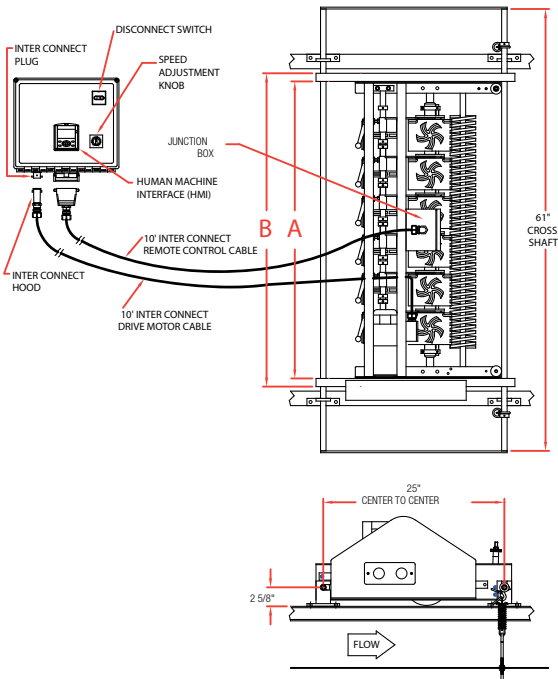
Heavy Duty Dough Imprinters

Registered Adjustable Imprinters

Model #'s BM100240, BM100233 & BM100241

General Specifications:

- Production Rate: 85 cuts per minute Maximum Divider Rate is Standard
125 cuts per minute for High Speed Option
- Electrical Controls: Remote panel with 10' cord and connector
- Air Requirements: 40 PSI min., 1 CFM
- Connected Load: 1.4 KVA, 110 Volt 60Hz 1 Ph. (Other voltages available)
- Mounting Requirements: 25" [635mm] Standard C/C mounts on the Moulder Table
- Heavy Duty Construction with 2" [51mm] shaft



	4-Pocket	6-Pocket	8-Pocket
Adjustable:	BM100240	BM100233	BM100241
	in. [mm]	in. [mm]	in. [mm]
"A" Width:	29-3/4 [755]	41 [1041]	48-1/2 [1232]
"B" Width:	32 [813]	43-1/4 [1098]	50-3/4 [1289]

Roller Specs: 6" [152mm] diameter UHMW

Roller Brush Specs: Medium Fill White Nylon Bristles

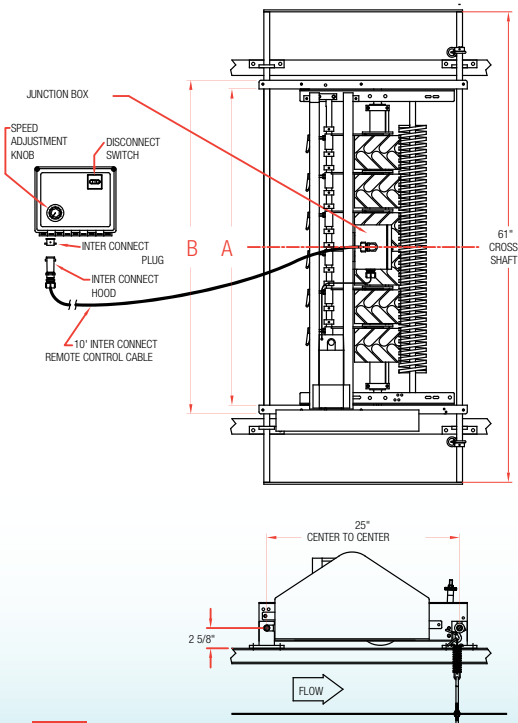
Roller Brush Diameter: 3 1/2" [89mm]

Random Adjustable Imprinters

Model #'s BM100230, BM100232 & BM100242

General Specifications:

- Production Rate: Varies with product. Adequate for most automated requirements
- Electrical Controls: Remote panel with 10' cord and connector
- Air Requirements: 40 PSI average, 15 CFM (4-Pocket only)
- Connected Load: 1.4 KVA (6 & 8-Pocket), 110 Volt 60Hz 1 Ph. (other voltages available)
- Mounting Requirements: 25" [635mm] Standard C/C mounts on the Moulder Table
- Heavy Duty Construction with 2" [51mm] shaft



	4-Pocket	6-Pocket	8-Pocket
Adjustable:	BM100230	BM100232	BM100242
	in. [mm]	in. [mm]	in. [mm]
"A" Width:	28-3/4 [730]	41 [1041]	48-1/2 [1232]
"B" Width:	31 [787]	43-1/4 [1098]	50-3/4 [1289]

Roller Specs: 6" [152mm] diameter UHMW

Roller Brush Specs: Medium Fill White Nylon Bristles

Roller Brush Diameter: 3 1/2" [89mm]

