

Band Slicing Head

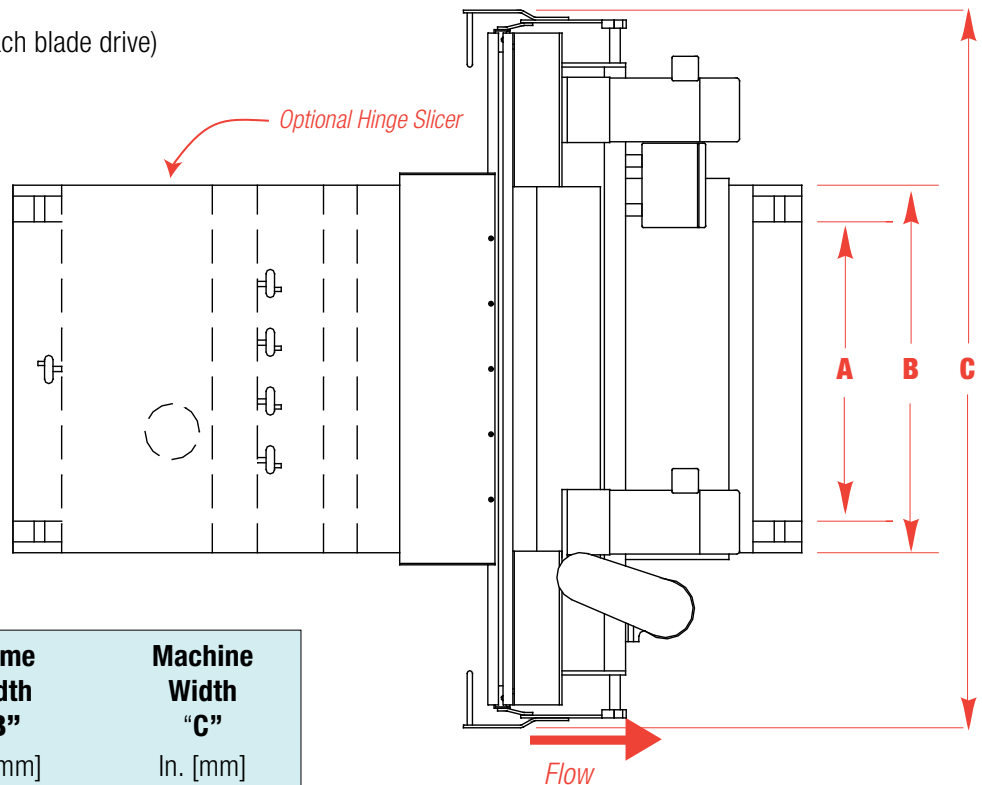
BF15/BF15W BF25/BF25W

GENERAL SPECIFICATIONS:

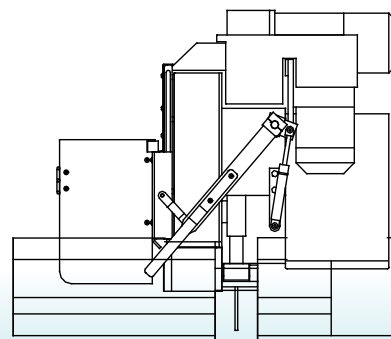
- Production Rate: Maximum of 800 pcs./min. based on 4" round roll
- Electrical Controls: 208-230-460 Volt 60 Hz 3 Ph, other voltages available
- Control Voltage: 24VDC, other voltages available
- Air Requirements: None
- Slicer Head Drive: 3/4 HP w/brake (each blade drive)

OPTIONS:

- Slicer head for a 26" [660mm] or 34" [863mm] wide belt conveyor
- Special voltages
- Wash down construction
- Floating Top Conveyor (FTC) for special slicing requirements



Model	Belt Width "A"	Frame Width "B"	Machine Width "C"
BF-15	26 [660]	34½ [876]	62 [1575]
BF-15W	34 [864]	42.5 [1079]	70 [1778]
BF-25	26 [660]	34.5 [876]	81 [2057]
BF-25W	34 [864]	42.5 [1079]	88.5 [2248]





LeMatic

Cooler to the door

Band Slicing Head

**BF15/BF15W
BF25/BF25W**

FEATURES

- Single-through slicing (BF15 or BF15W models)
- Single or double-through slicing (BF25 or BF25W models)
- Floating head pressure design produces a consistent quality slice
- Completely adjustable for slicing height and top conveyor pressure
- Slicing head with standard power head lift can be raised out of position to bypass unsliced products
- Slicer head can be mounted on existing LeMatic frame or with a revised design for customer-supplied frame
- Design emphasizes safety and reliability, straight forward operation and complete accessibility for maintenance and sanitation



Designed to perform. Backed by experience.