

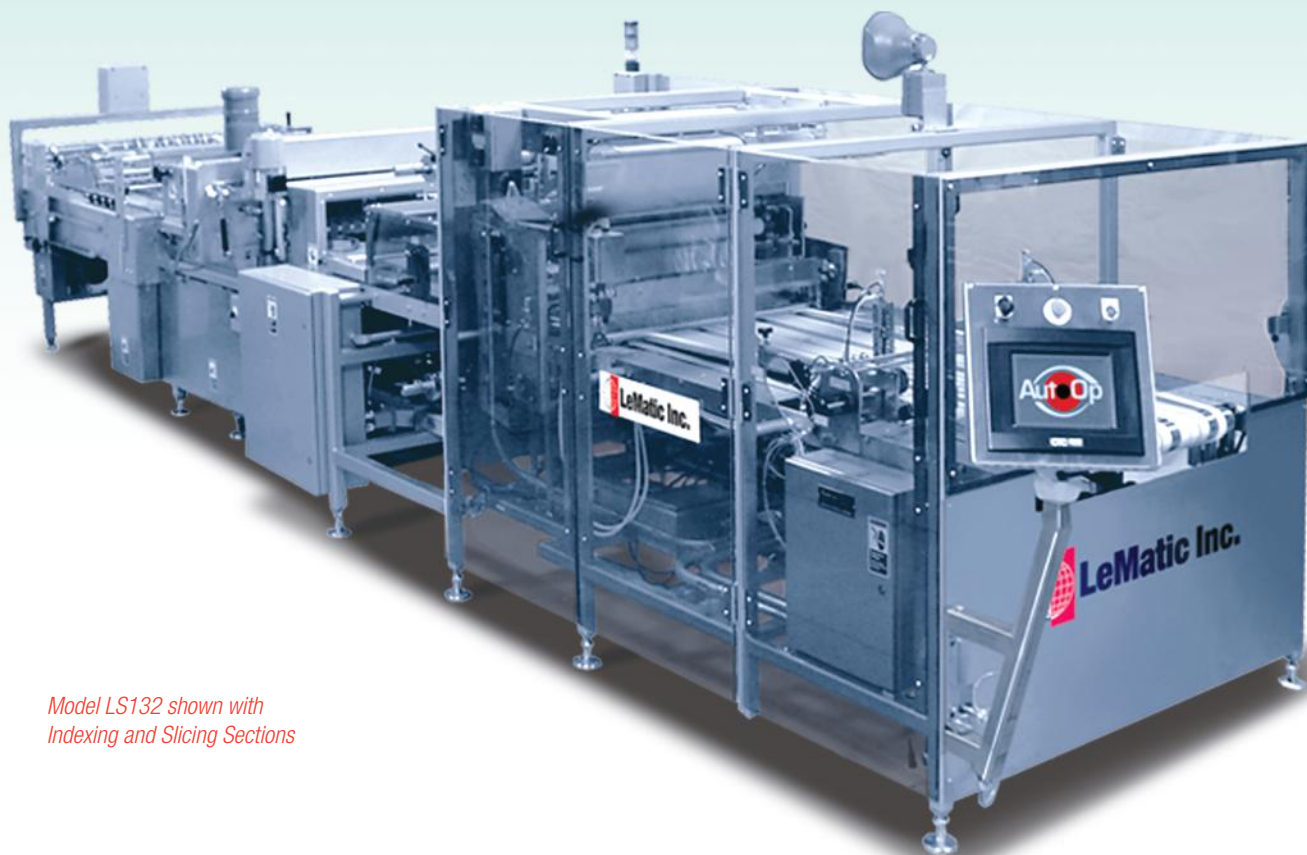


LeMatic Bulk Packer LS132

24 hours a day, seven days a week, over 176 LeMatic Bulk Packers currently installed in bakeries around the world each process up to 1000 buns per minute. That's pretty impressive, especially when you take into account that LeMatic's Bulk Packers also set the standard for flexibility and efficiency, with less down time and better ease of maintenance. And, we work smart-designing lines that can be effectively retrofitted with industry advancements in the future. Back it all up with engineering and service professionals that are available for the life of your line and you've got a rock-solid partner at work for you.

FEATURES

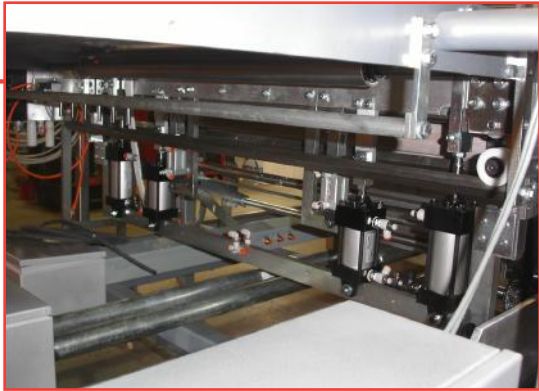
- Exclusive hand-wheel adjustable lane guide system makes changeover quick and easy
- Moving side belts, "on the fly" moving regrouper and package vacuum system assure a consistent and tight package
- Advanced microprocessor control
- Advanced timing and control abilities are available to service or maintenance personnel via password protected control software
- Slide-out and removable sealing bar assembly for ease of maintenance
- Timing belt drive system
- Enclosed air supply system
- Design emphasizes safety and reliability, straight forward operation and complete accessibility for maintenance and sanitation
- Alan Bradley programmable logic controls standard



*Model LS132 shown with
Indexing and Slicing Sections*

Designed to perform. Backed by experience.

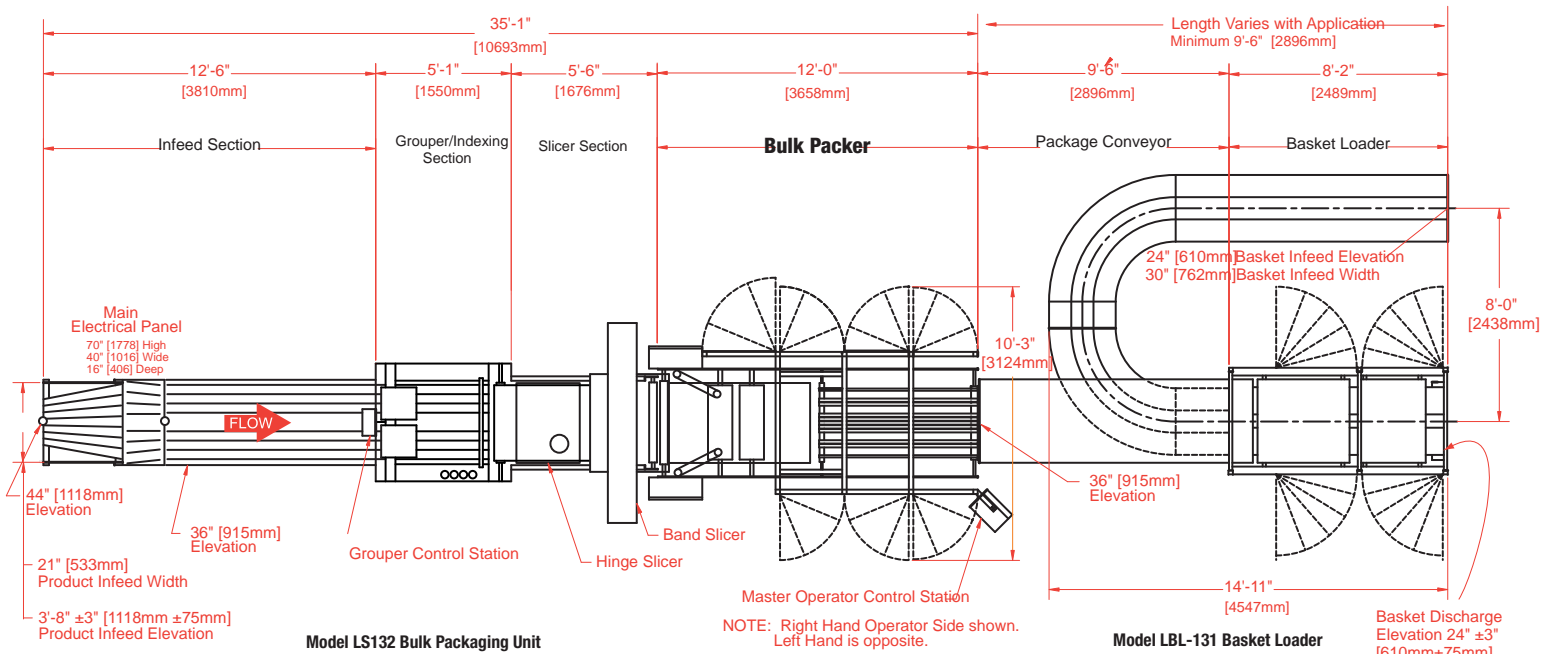
Bulk Packer LS132



New Pull-Out Seal Bar – Linkages are eliminated



New Side & Center Seal Low Air Monitor extends heater life



GENERAL SPECIFICATIONS:

- Production Rate: 35 packages per minute @20" long package
- Package Size: Maximum: 28"W, 27"L, 3 1/2 H, Minimum: 15"W, 8"L, 1"H
- Film Width: Maximum 34", minimum 18"
- Electrical Power: 34 KW, 3 phase, various voltages available
- Air Requirements: 24 CFM [680 L/M] @ 90 PSI [6.2bar]
- Air Connection: 3/4" NPT

OPTIONS:

- Single center seal
- Double center seal & cut
- Dual mid seals
- Dual double mid seal & cut
- 10 or 12 product lanes (8 lanes standard)
- Hinge, web, single band, double band, top & New England slicing heads

